

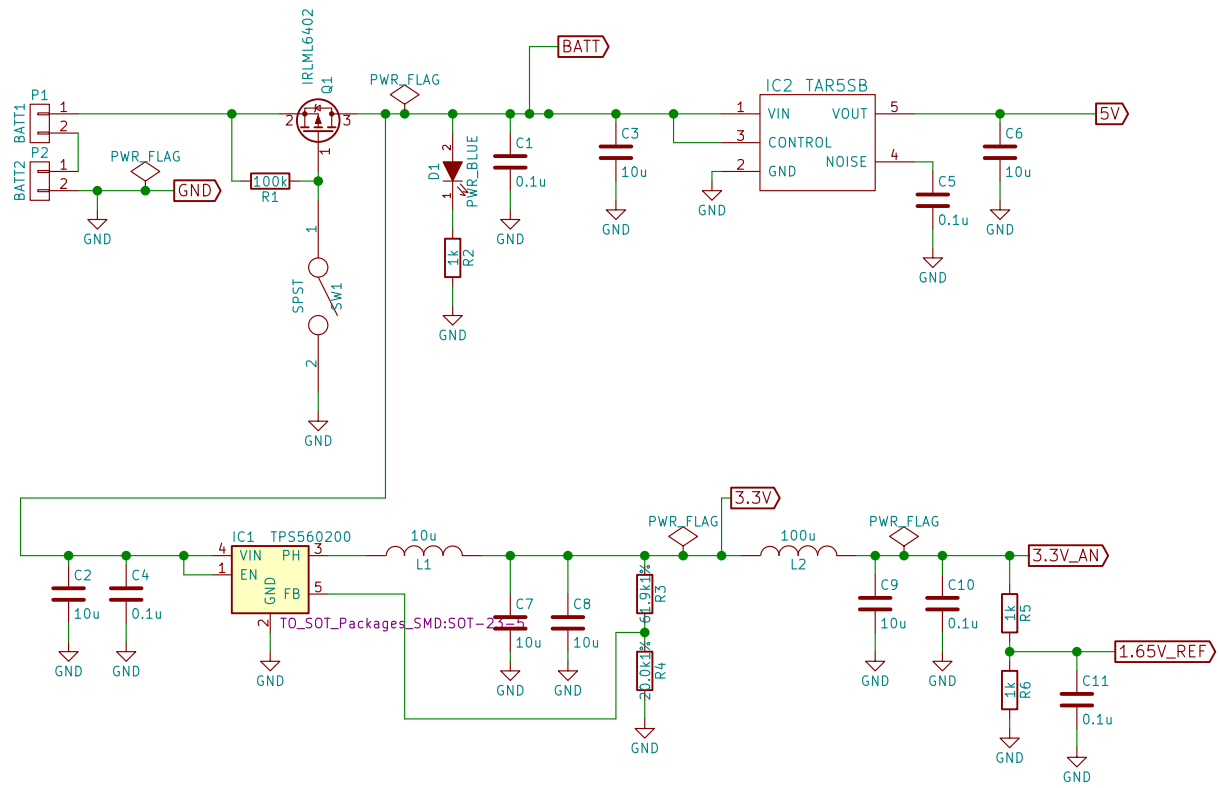
idt12312

Sheet: /
File: MIZUHOv2.sch

Title: MIZUHOv2

Size: A4 Date: 2016/11/29
KiCad E.D.A. kicad 4.0.5

Rev: 1
Id: 1/12



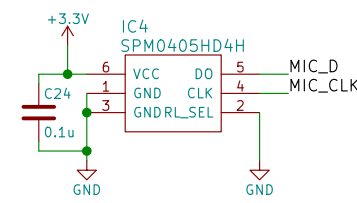
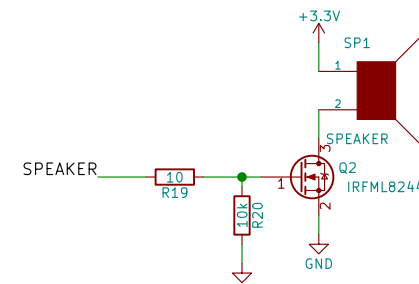
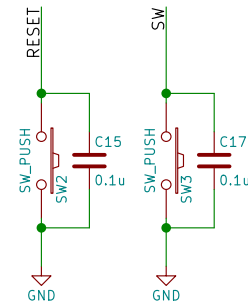
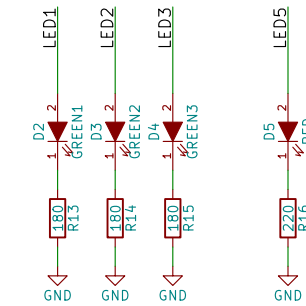
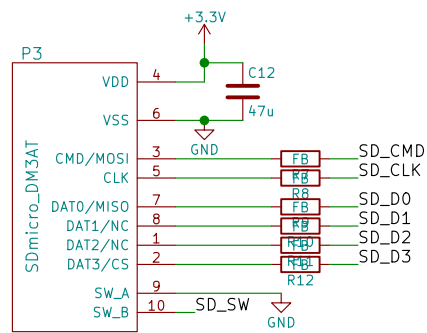
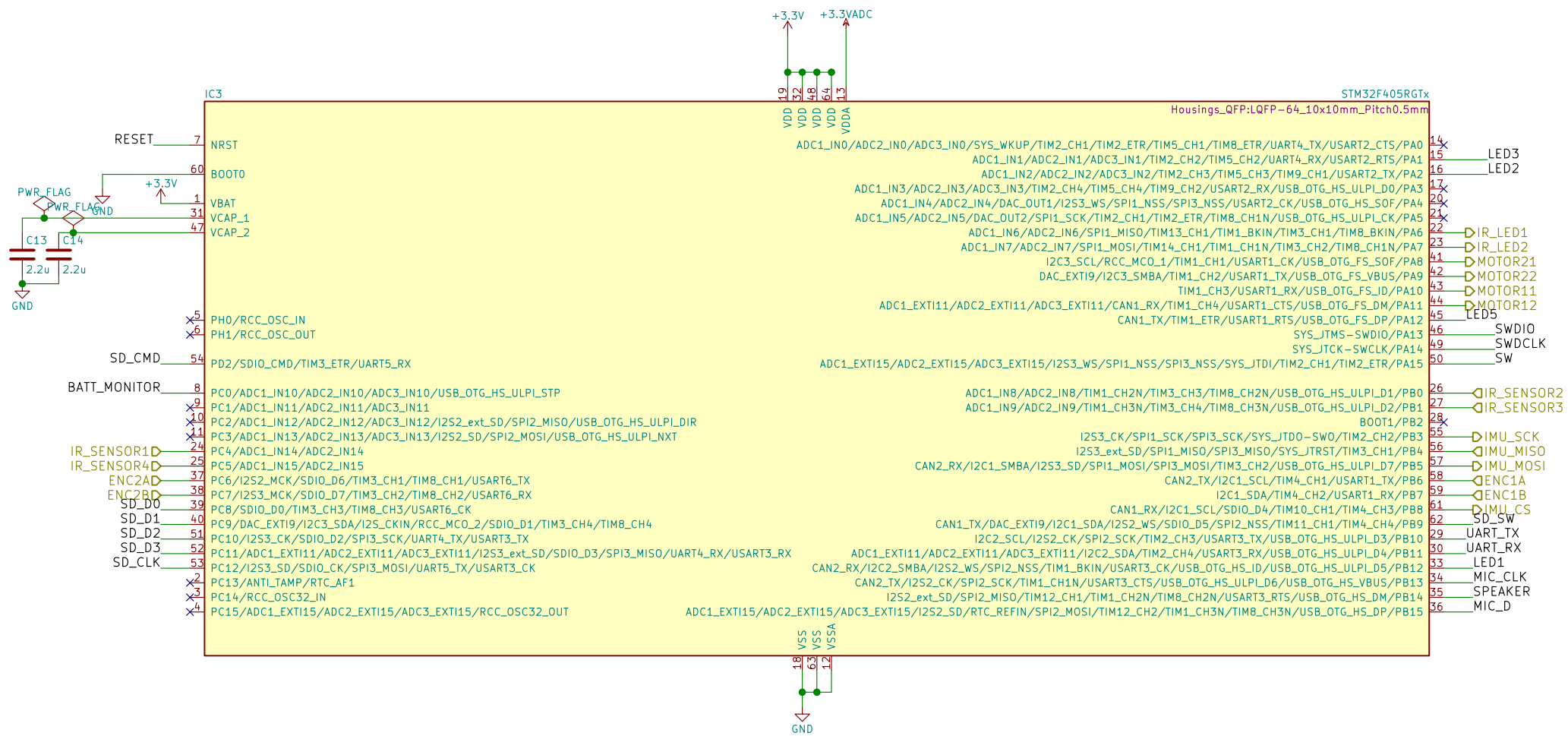
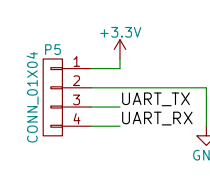
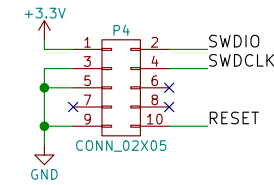
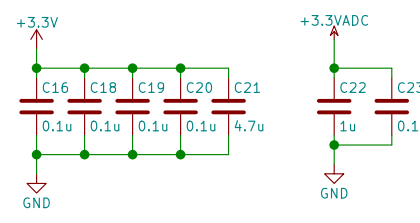
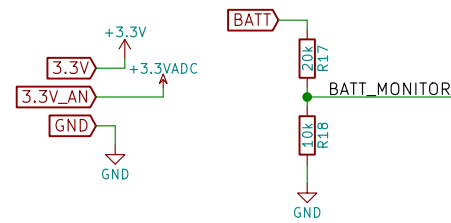
idt12312

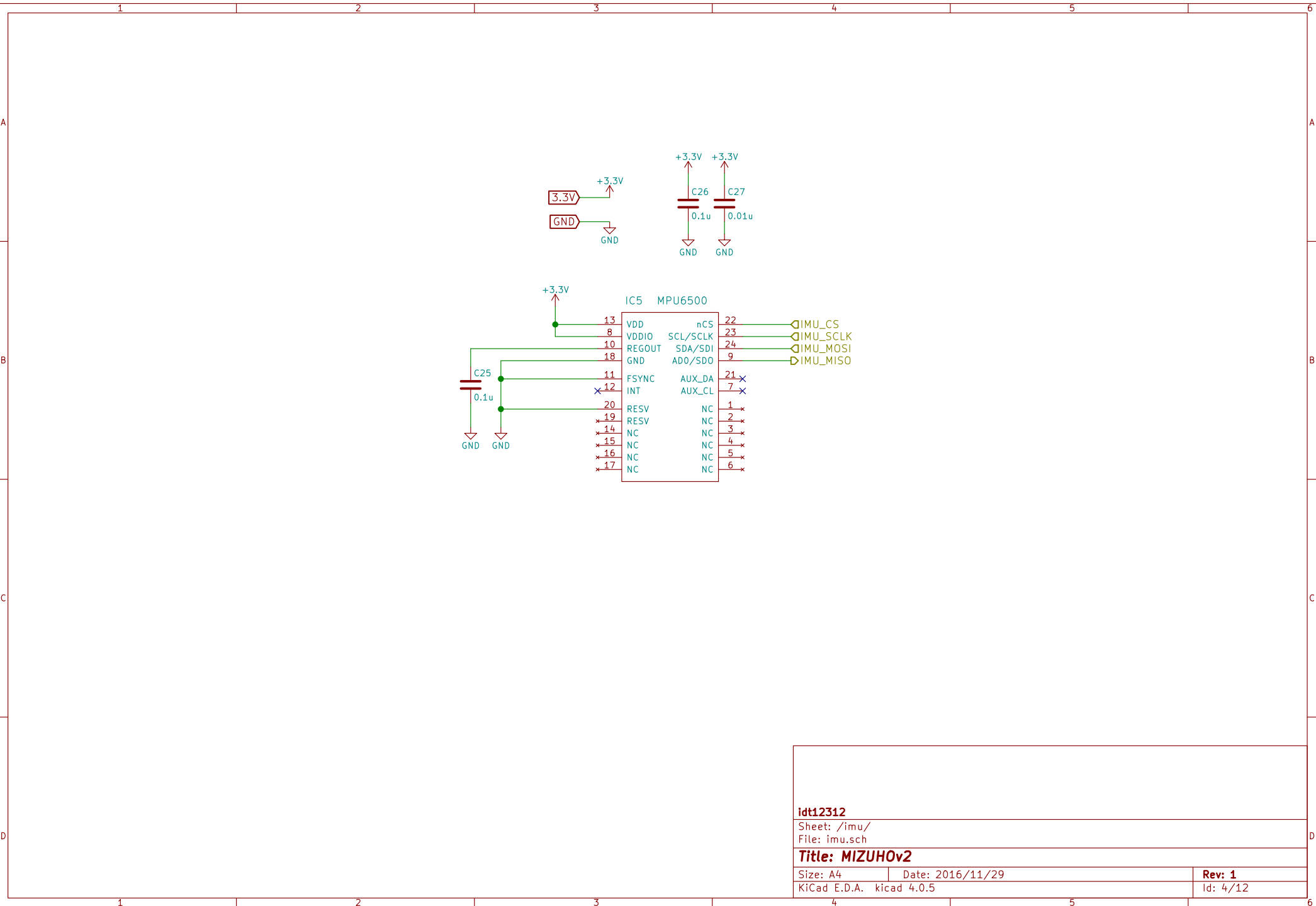
Sheet: /power/
File: power.sch

Title: MIZUHOv2

Size: A4 Date: 2016/11/29
KiCad E.D.A. kicad 4.0.5

Rev: 1
Id: 2/12





idt12312

Sheet: /imu/
File: imu.sch

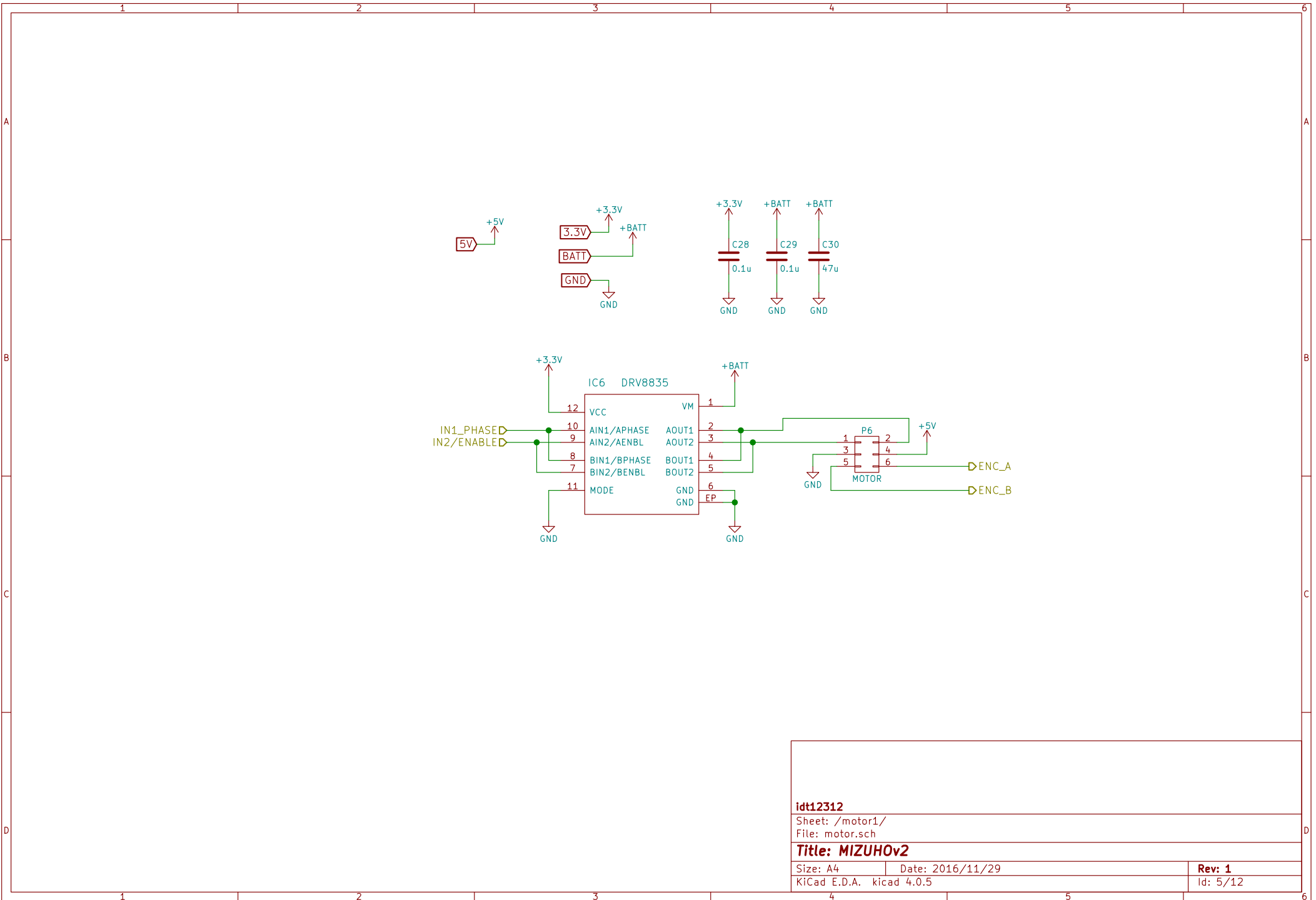
Title: MIZUHOv2

Size: A4 Date: 2016/11/29

KiCad E.D.A. kicad 4.0.5

Rev: 1

Id: 4/12



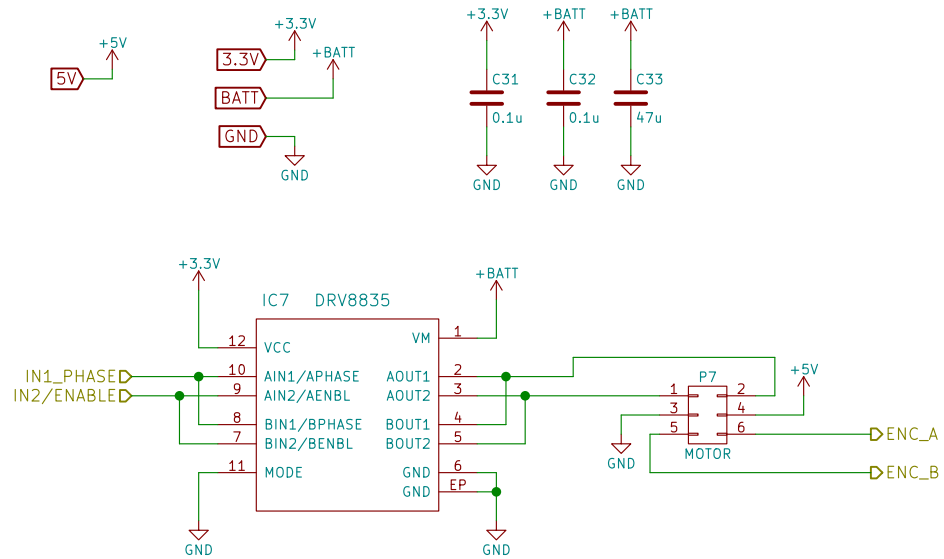
idt12312

Sheet: /motor1/
File: motor.sch

Title: MIZUHOv2

Size: A4 Date: 2016/11/29
KiCad E.D.A. kicad 4.0.5

Rev: 1
Id: 5/12



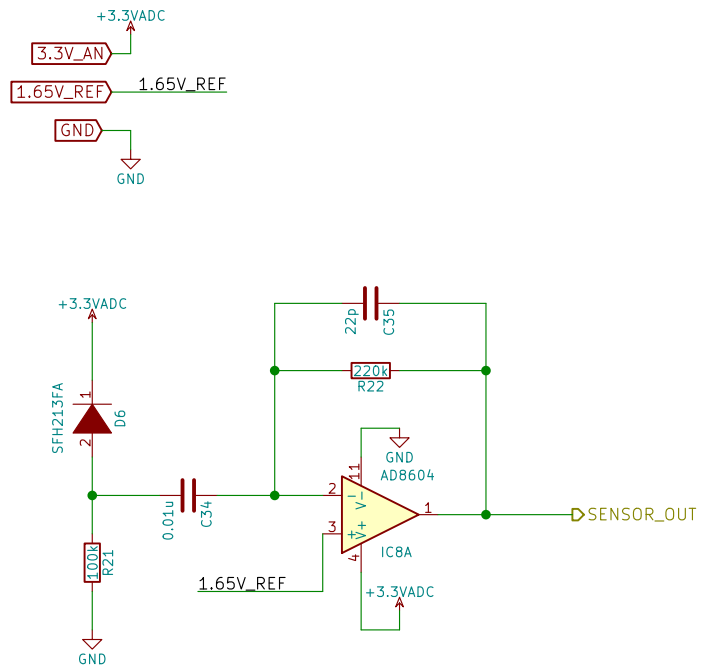
idt12312

Sheet: /motor2/
File: motor.sch

Title: MIZUHOv2

Size: A4 Date: 2016/11/29
KiCad E.D.A. kicad 4.0.5

Rev: 1
Id: 6/12



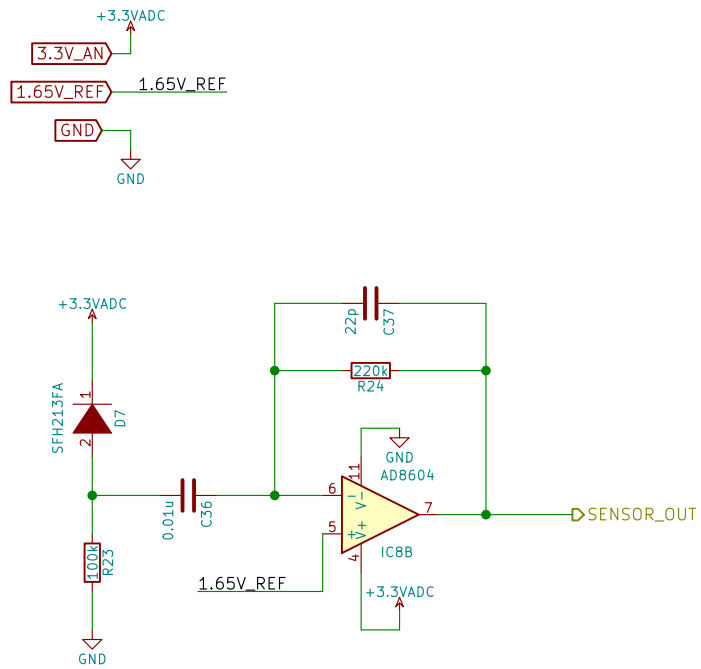
idt12312

Sheet: /ir_receiver1/
File: ir_receiver.sch

Title: MIZUHOv2

Size: A4 Date: 2016/11/29
KiCad E.D.A. kicad 4.0.5

Rev: 1
Id: 7/12



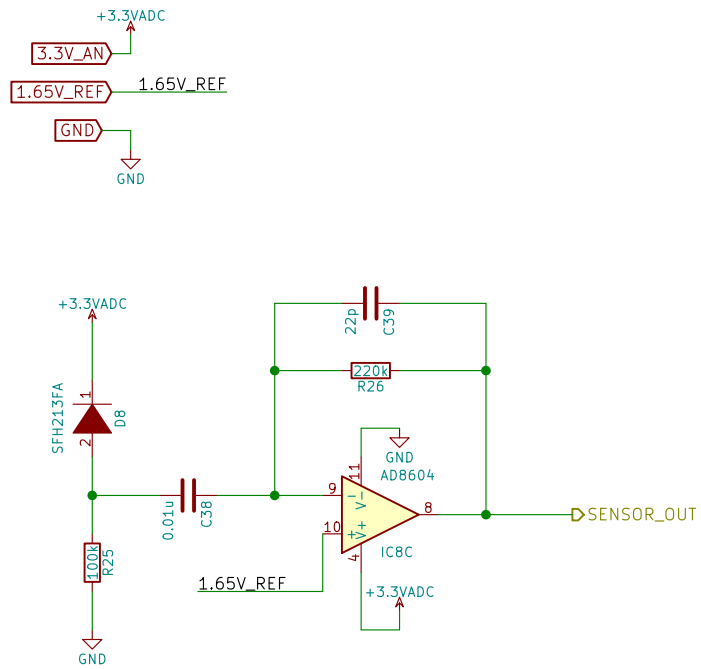
idt12312

Sheet: /ir_receiver2/
File: ir_receiver.sch

Title: MIZUHOv2

Size: A4 Date: 2016/11/29
KiCad E.D.A. kicad 4.0.5

Rev: 1
Id: 8/12



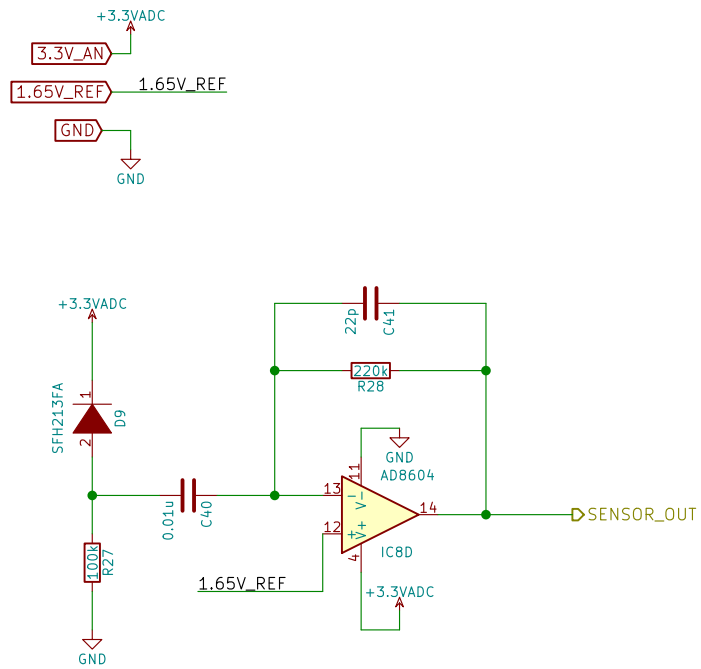
idt12312

Sheet: /ir_receiver3/
File: ir_receiver.sch

Title: MIZUHOv2

Size: A4 Date: 2016/11/29
KiCad E.D.A. kicad 4.0.5

Rev: 1
Id: 9/12



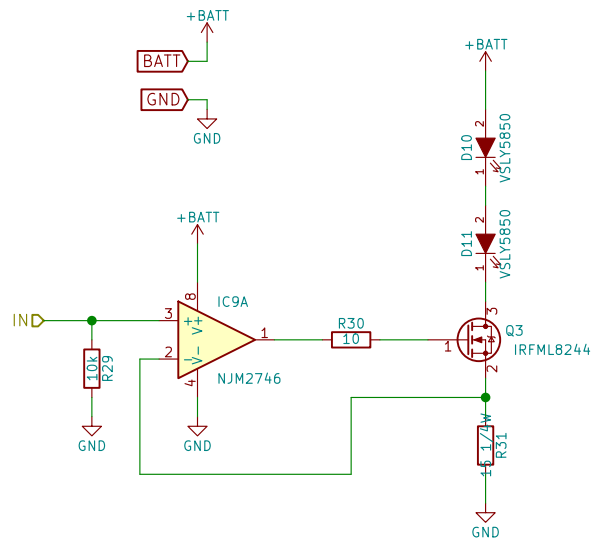
idt12312

Sheet: /ir_receiver4/
File: ir_receiver.sch

Title: MIZUHOv2

Size: A4 Date: 2016/11/29
KiCad E.D.A. kicad 4.0.5

Rev: 1
Id: 10/12



idt12312

Sheet: /ir_transmitter1/
File: ir_transmitter.sch

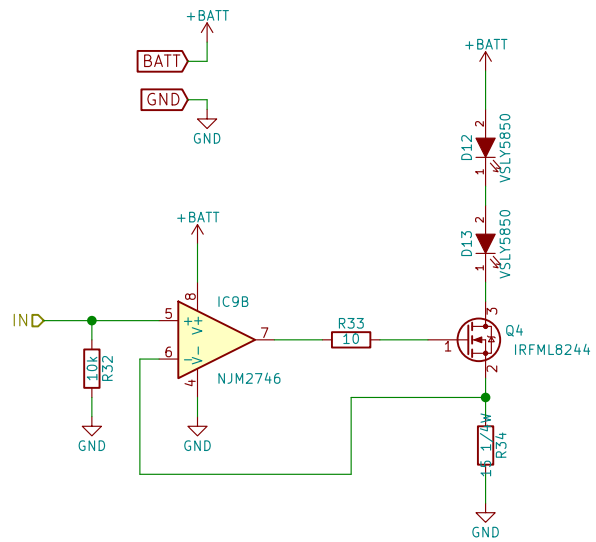
Title: MIZUHOv2

Size: A4 Date: 2016/11/29

KiCad E.D.A. kicad 4.0.5

Rev: 1

Id: 11/12



idt12312

Sheet: /ir_transmitter2/
File: ir_transmitter.sch

Title: MIZUHOv2

Size: A4 Date: 2016/11/29

KiCad E.D.A. kicad 4.0.5

Rev: 1

Id: 12/12