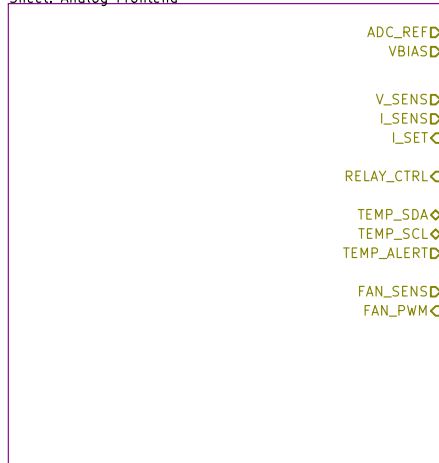
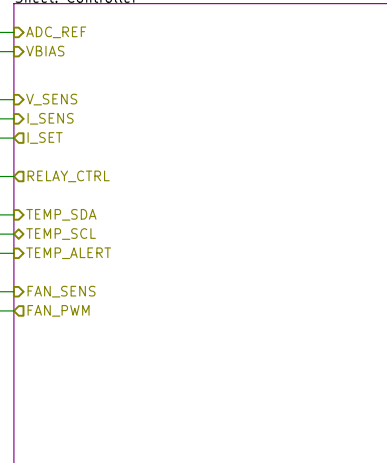


Sheet: Analog_Frontend



File: analog_frontend.sch

Sheet: Controller

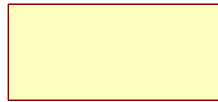


File: controller.sch

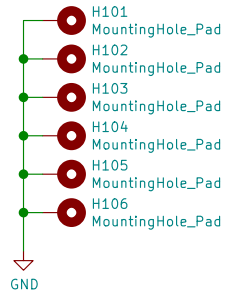
Sheet: Power Supply



File: power_supply.sch



U101
cpu_cooler



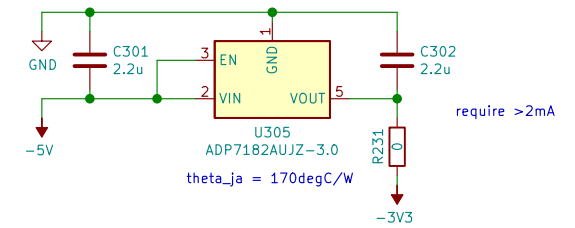
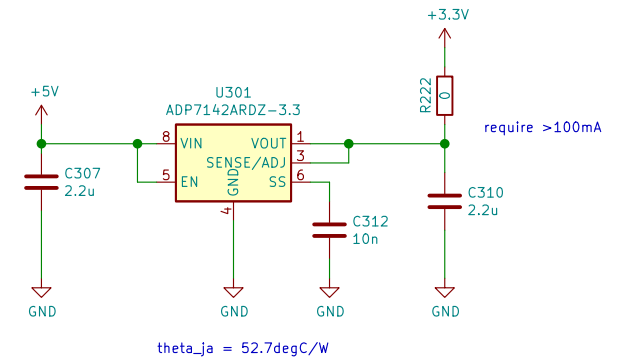
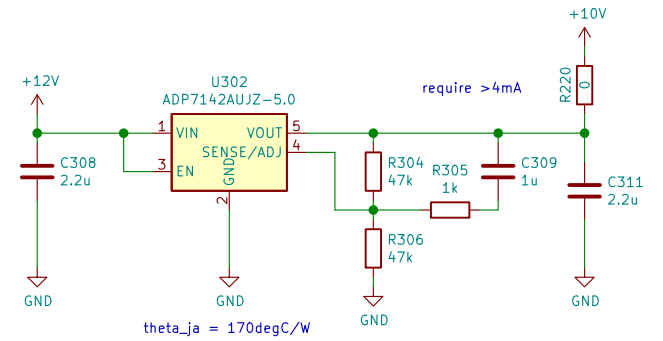
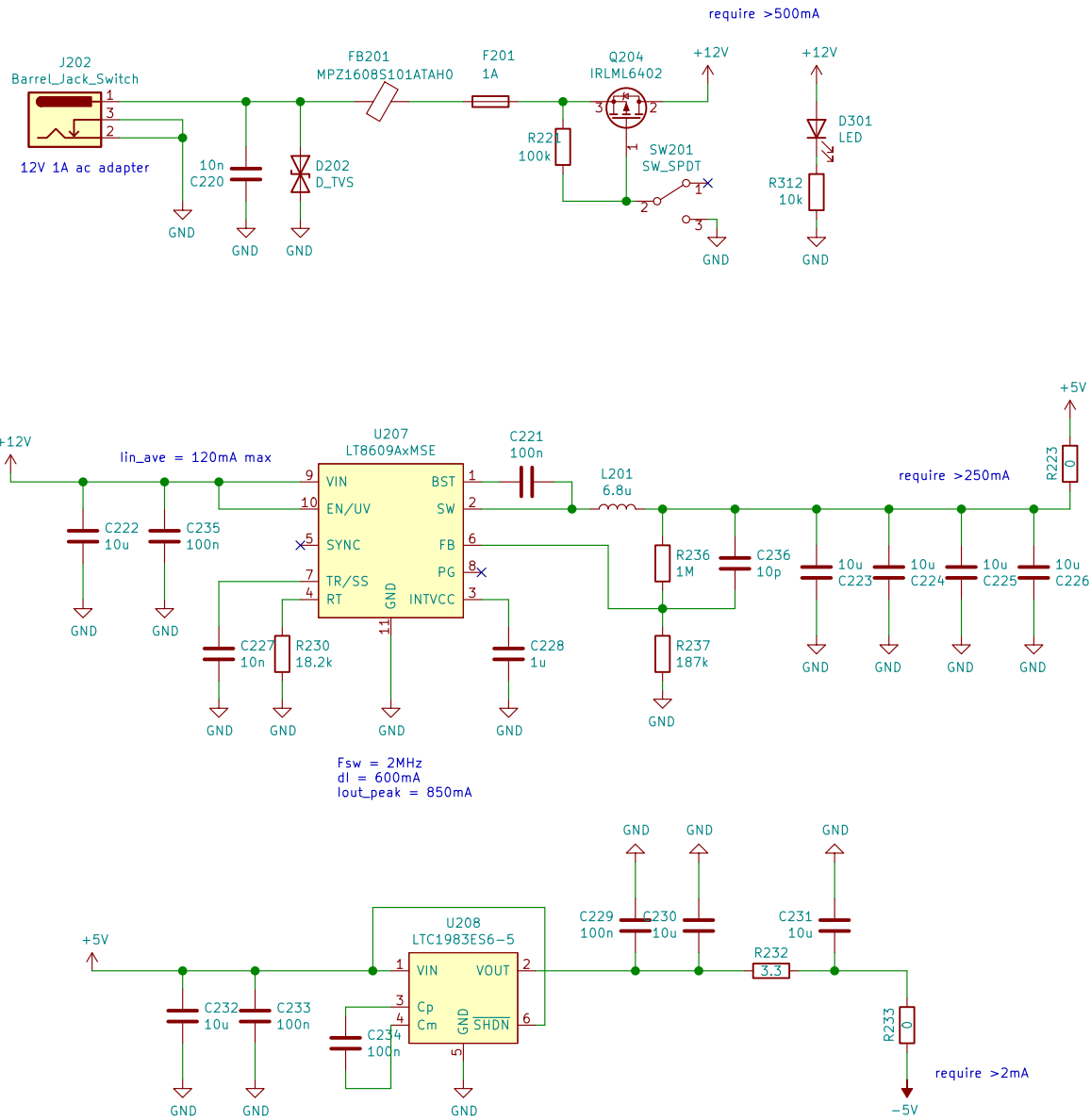
idt12312

Sheet: /
File: eload.sch

Title: Electronic Load

Size: A4 Date: 2020-05-09
KiCad E.D.A. kicad (5.1.10)-1

Rev: 1
Id: 1/4



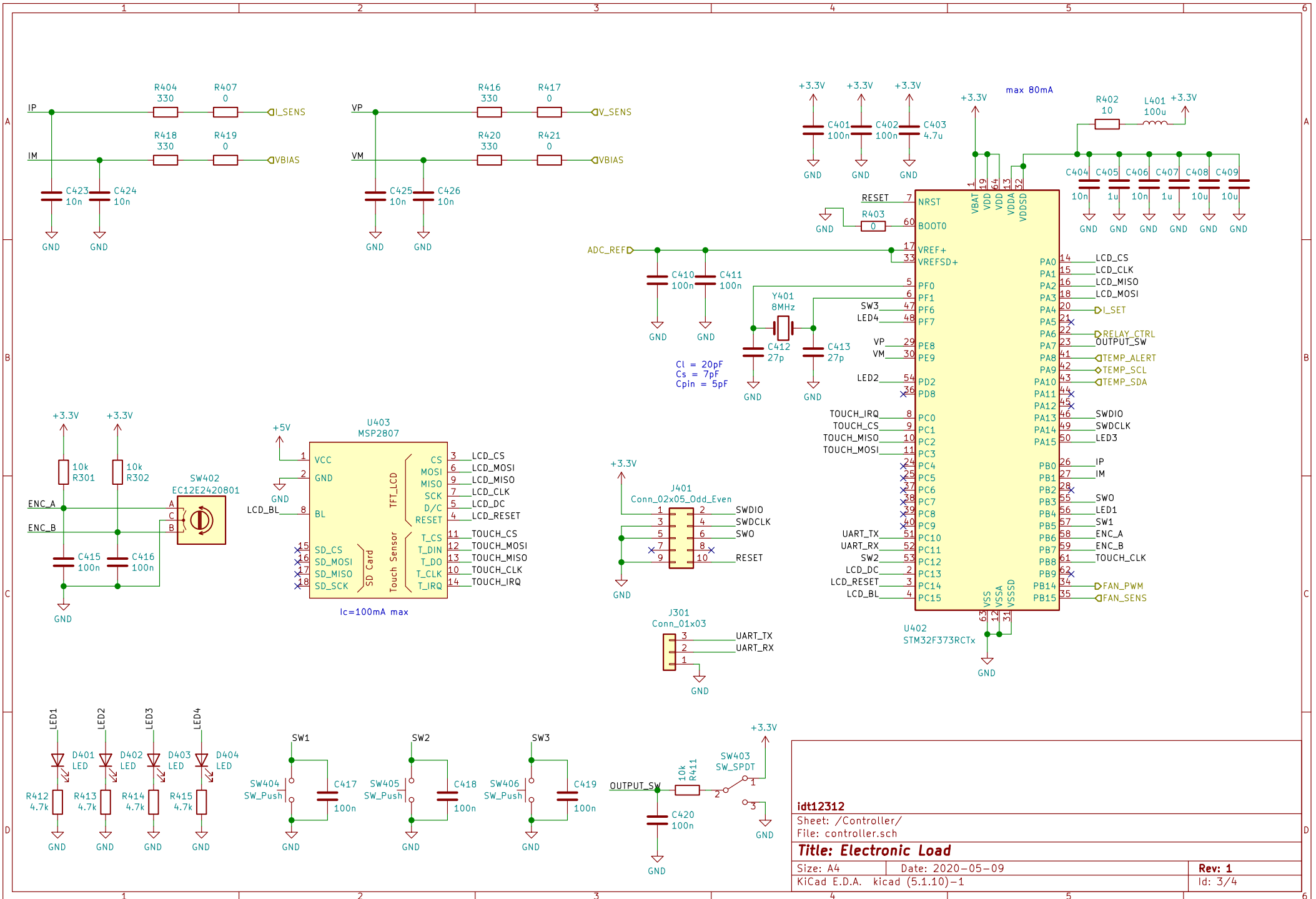
idt12312

Sheet: /Power Supply/
File: power_supply.sch

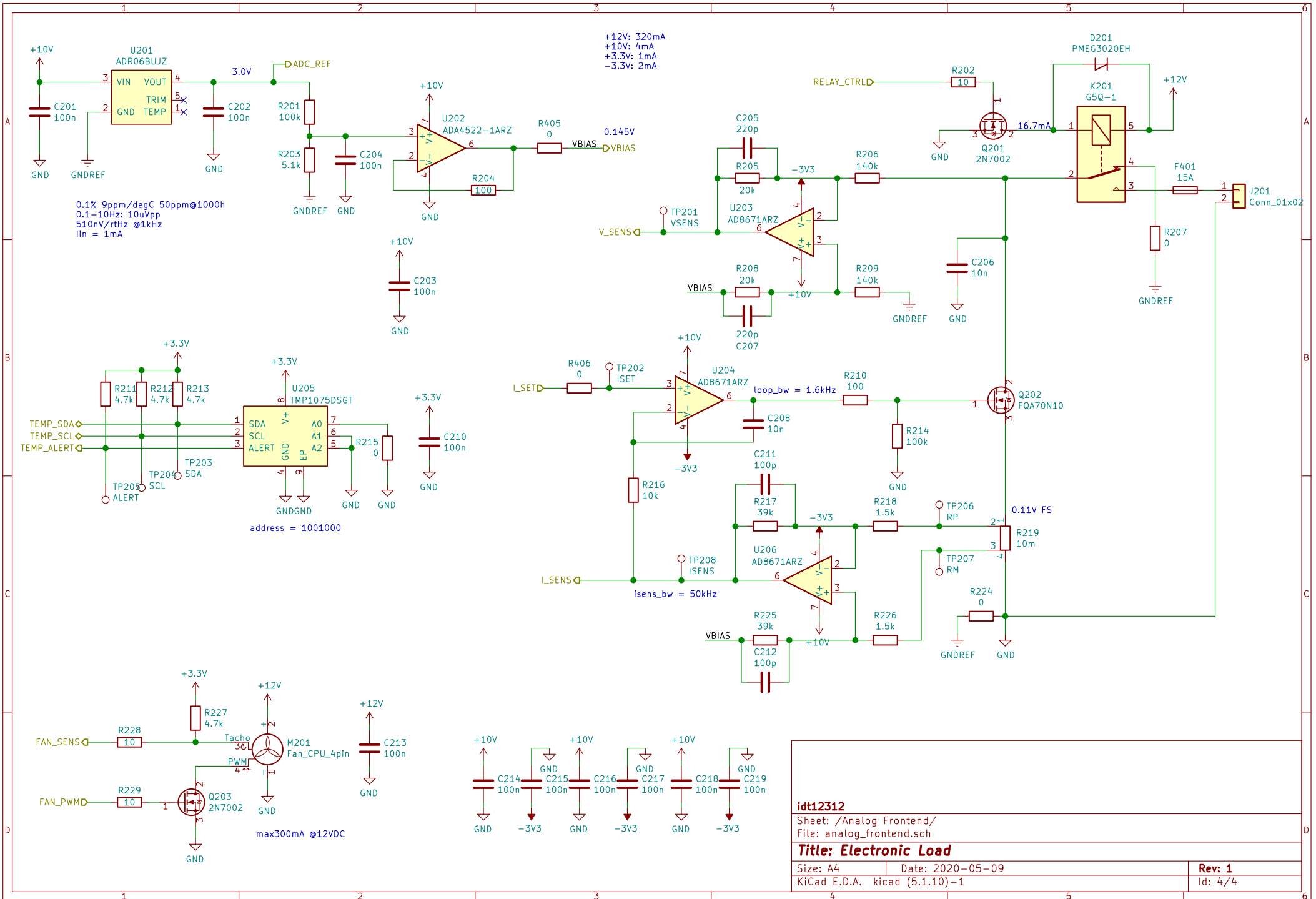
Title: Electronic Load

Size: A4 Date: 2020-05-09
KiCad E.D.A. kicad (5.1.10)-1

Rev: 1
Id: 2/4



idt12312	
Sheet: /Controller/ File: controller.sch	
Title: Electronic Load	
Size: A4	Date: 2020-05-09
KiCad E.D.A. kicad (5.1.10)-1	Rev: 1 Id: 3/4



idt12312	
Sheet: /Analog Frontend/ File: analog_frontend.sch	
Title: Electronic Load	
Size: A4	Date: 2020-05-09
KiCad E.D.A. kicad (5.1.10)-1	Rev: 1
	Id: 4/4