

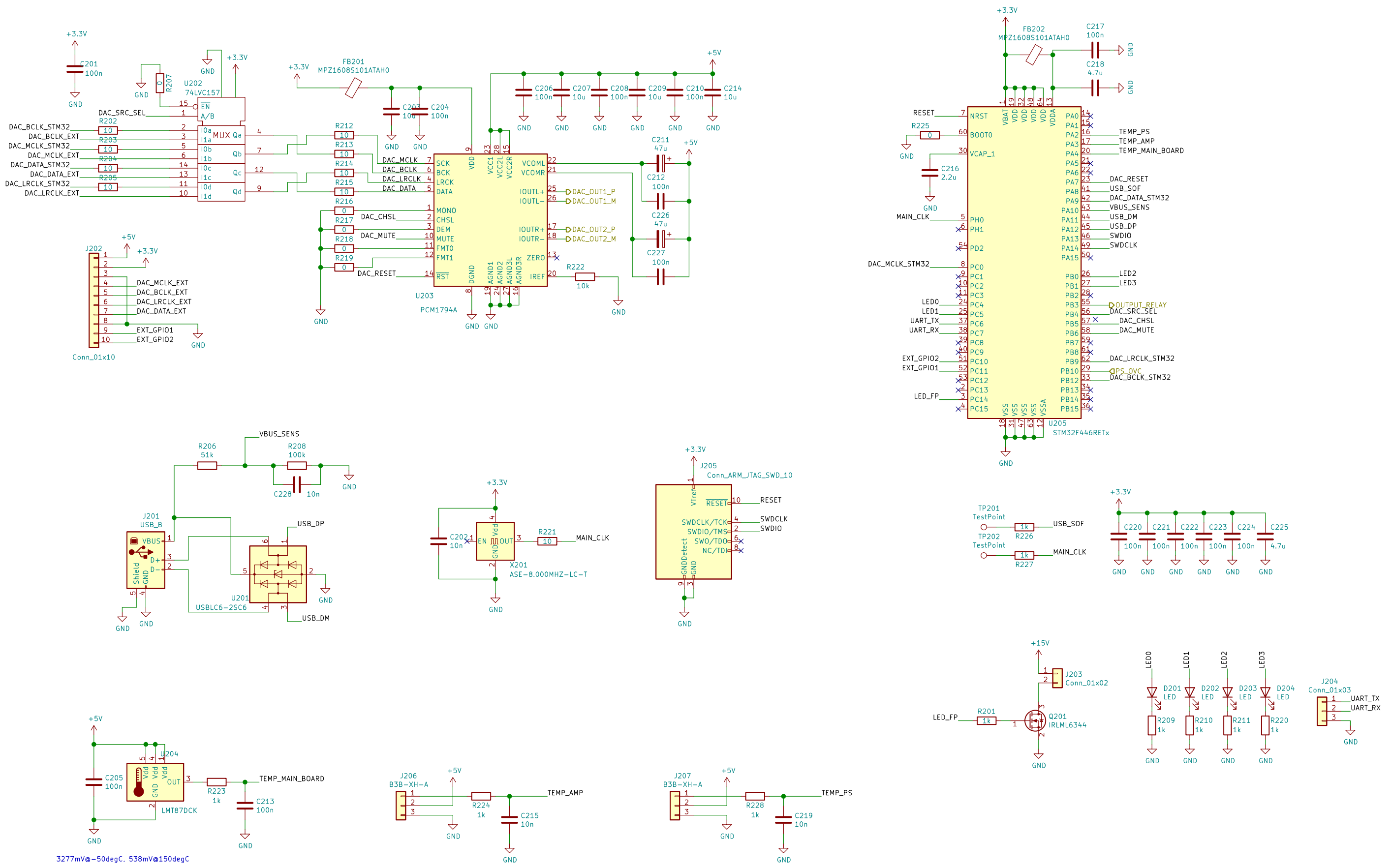
idt12312

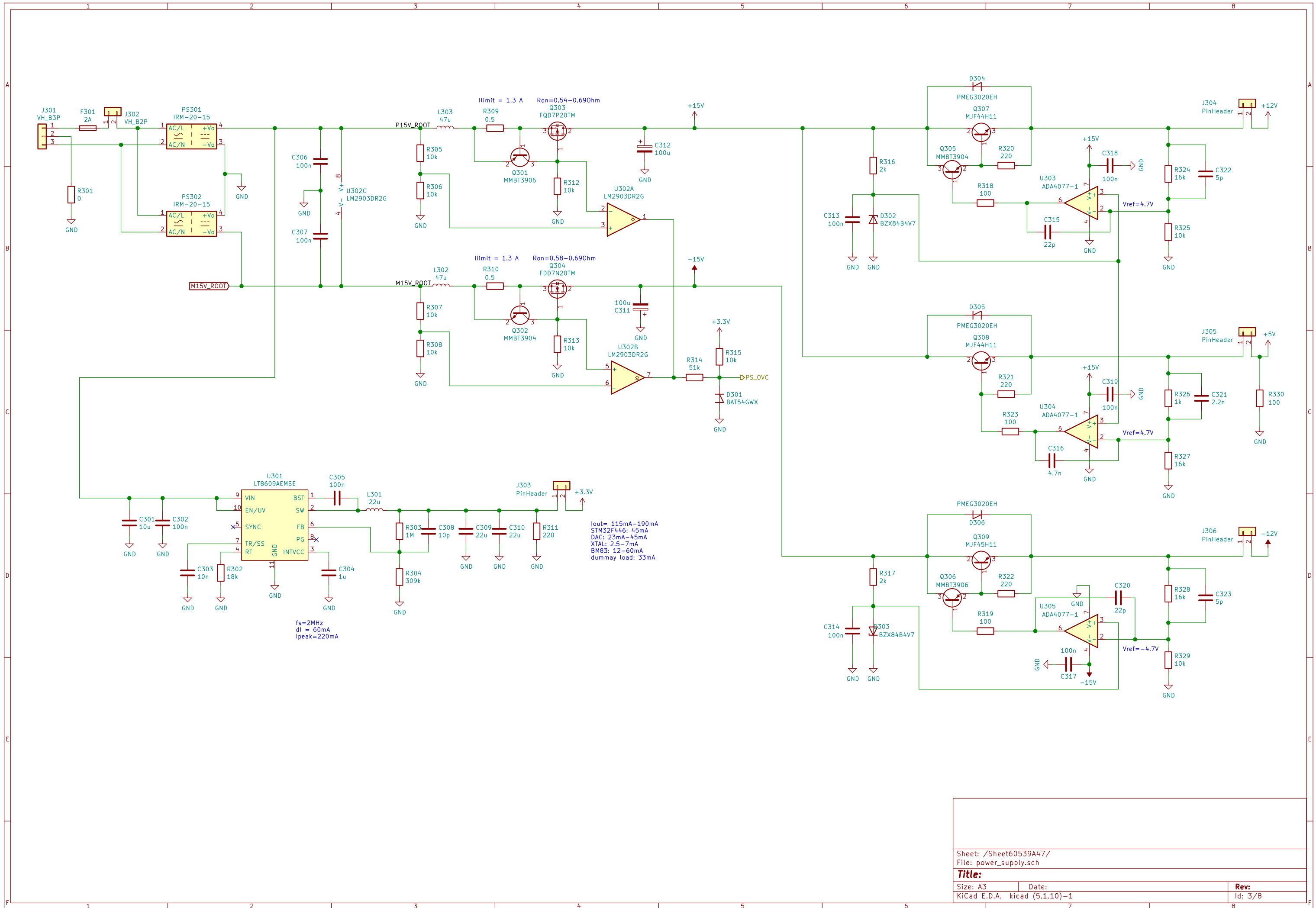
Sheet: /
File: usb_dac_amp.sch

Title: USB DAC Amp

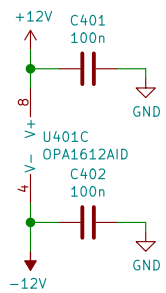
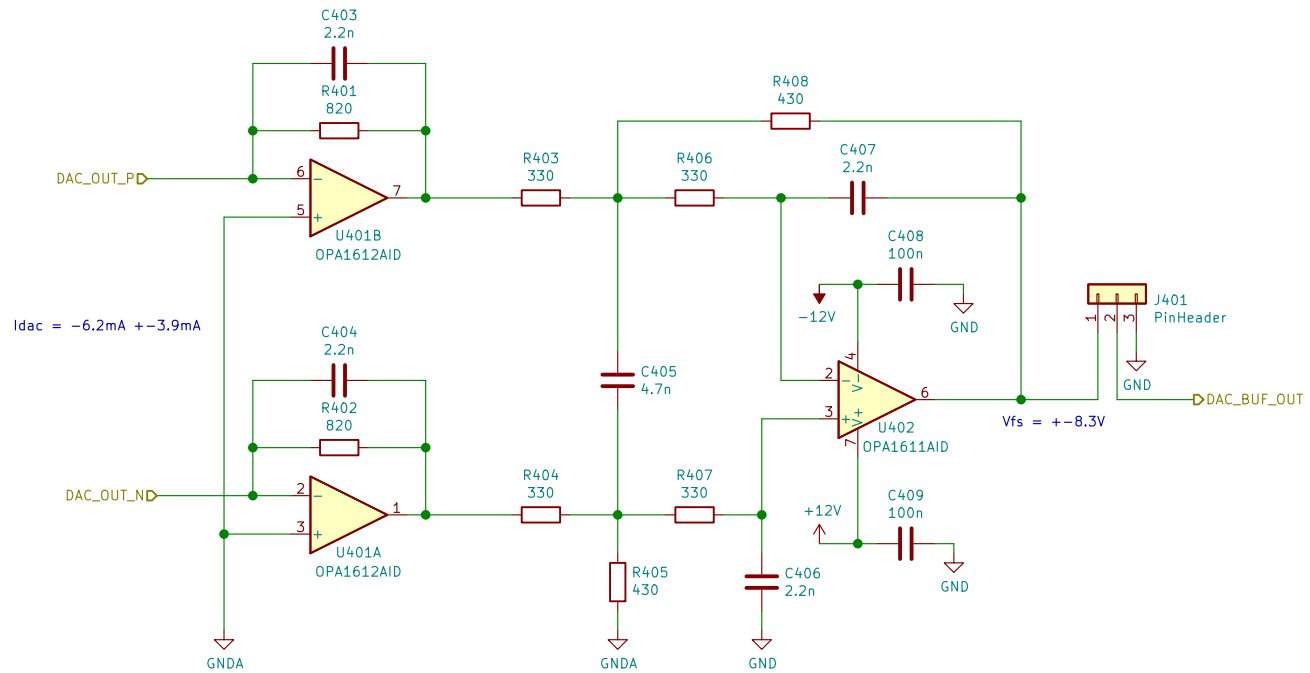
Size: A4 | Date: 2021-03-19
KiCad E.D.A. kicad (5.1.10)-1

Rev: 1
Id: 1/8





Sheet: /Sheet60539A47/		
File: power_supply.sch		
Title:		
Size: A3	Date:	Rev:
KiCad E.D.A. kicad (5.1.10)-1		Id: 3/8



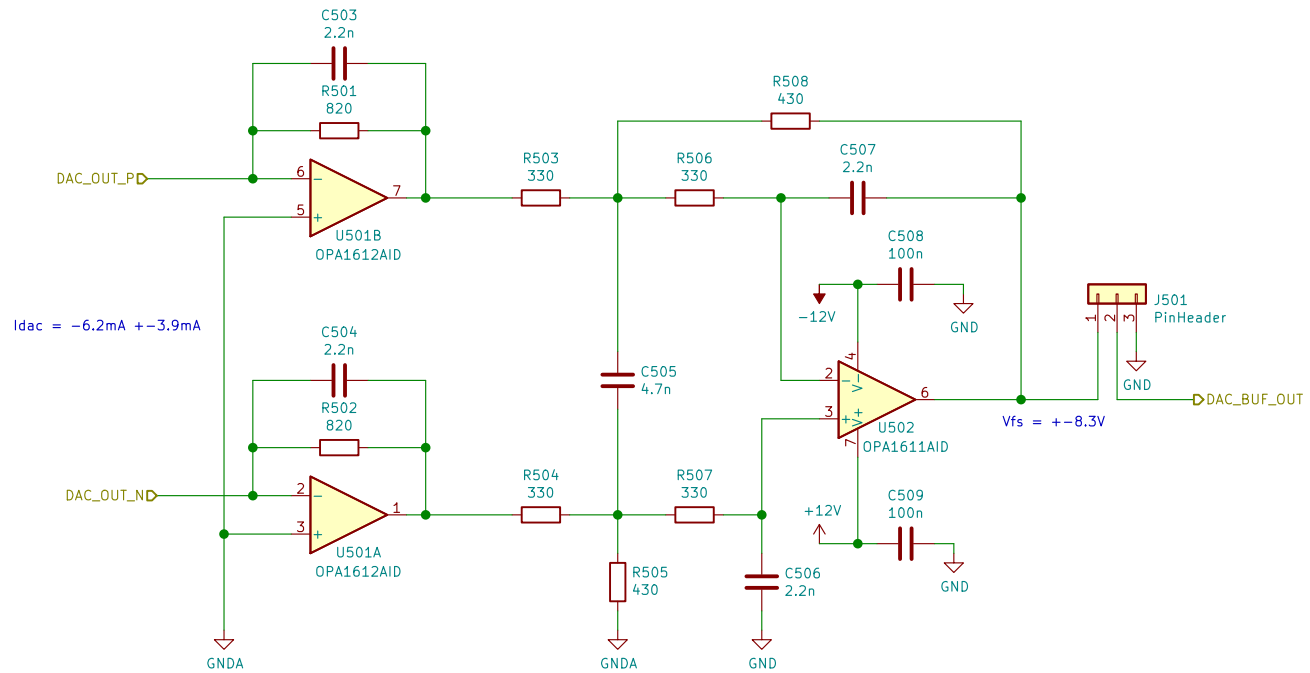
Sheet: /Sheet60646A23/
File: dac_buffer.sch

Title:

Size: A4
KiCad E.D.A. kicad (5.1.10)-1

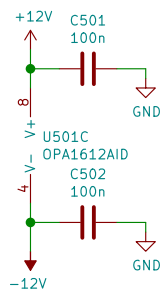
Date:

Rev:
Id: 4/8

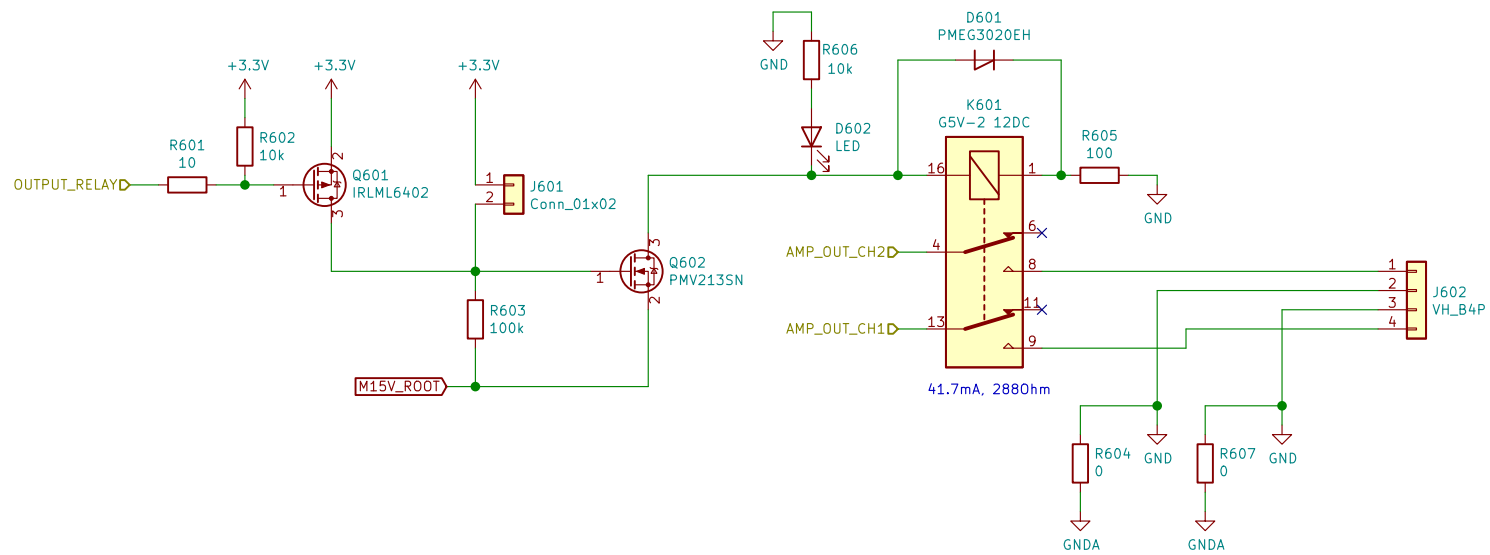


$I_{dac} = -6.2mA \pm -3.9mA$

$V_{fs} = \pm 8.3V$



Sheet: /sheet60734975/	
File: dac_buffer.sch	
Title:	
Size: A4	Date:
KiCad E.D.A. kicad (5.1.10)-1	Rev: 5/8



Sheet: /Sheet609A1026/
 File: output.sch

Title:

Size: A4 Date:
 KiCad E.D.A. kicad (5.1.10)-1

Rev:
 Id: 6/8

